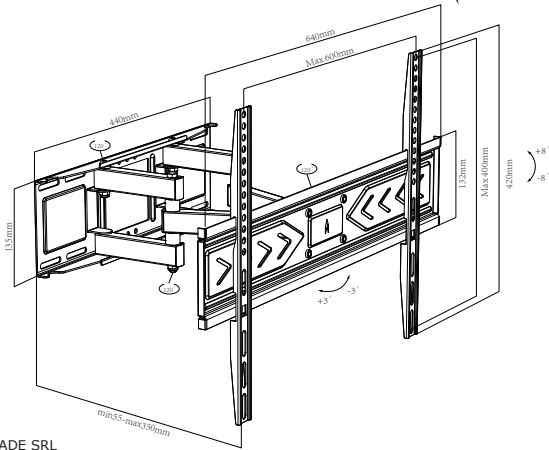




# EN - TV WALL BRACKET USER MANUAL

**TECHMADE**  
YOUR LIFE YOUR TECHNOLOGY



TECHMADE SRL  
Product code: TM-CT-WPLB-3502  
F.C.: CT-WPLB-3502  
Description: Universal TV stand  
Working temperatures: from -10 °C to 60 °C.  
Trademark: Techmade Srl

## Warnings

### Read this manual carefully and keep for future reference.

All series of essential tests have been carried out and the aforementioned product complies with all the requirements established by law.

### Limitations in intended use or foreseeable misuse.

1. Danger of TV drop and / or serious injury such as bruising or fractures.
2. If the bracket is installed on a wall that is unstable, uneven or not perpendicular to the floor, the unit may fall and cause unexpected accidents, injury or damage to property. The wall in question should be able to support a weight of at least 4 times the weight of the television.
3. Avoid mounting the bracket in confined spaces with the consequent exit of the TV corners from the floor. This could cause accidental collisions and, therefore, serious accidents.
4. If the bracket is not strong enough, the unit may fall and cause injury or property damage. Refer to the maximum supported load to avoid accidents.
5. Do not immerse or expose the product to liquids. This may result in damage to the product, fire or electric shock.
6. Do not remove and / or omit screws, bolts or other tools before, during and after assembly, the unit may fall and cause injury or property damage.
7. Do not modify the product in any way.
8. Do not apply additional loads outside the TV for which the product is intended. Do not lean or hang on the bracket, the unit may fall and cause injury or property damage.
9. Keep the product away from flammable objects or open flames to prevent fires.
10. Keep the product away from hot, humid, oily or dusty environments and places subject to strong

-1-

mechanical vibrations.

11. This product is not a toy. Keep it out of the reach of children and pets.
12. Product composed of small parts. If swallowed, they could cause suffocation.
13. Never exceed the recommended maximum load. This could cause malfunctions or breakage of the product and, consequently, danger to users and devices connected to it.
14. Make sure that all the bracket retaining screws are properly tightened.
15. This wall-mount TV mount bracket is designed to support third-party TV, so make sure it is compatible before purchasing.
16. Techmade is not responsible for any damages or injuries caused by improper use or improper installation. Rely on a technician for the installation of the product.

### Identification of the characteristics of the personnel who will use the machine (physical, competence) and level of training required for the users.

No special training for use. Read the instruction booklet.

### Product warranty

12 month warranty for professional operator. 24 months for final consumer.  
The opening or attempt to open the product cancels the warranty.

### Related to security

Handle the device gently. Protect the device from shocks and falls.

### Cleaning level

Clean and dry the product regularly. Use a soft, dry cloth. Do not use alcohol or other cleaning solutions. Do not wash the product with running water.

### Drying

Do not attempt to dry the product using a microwave oven, traditional oven or a hairdryer. Use a dry cloth or a light detergent.

### Technical parameters

Max VESA: 600x400 mm  
Maximum weight: 35kgs/77lbs

### Items supplied

Make sure that all the listed parts are present in the package. Never use defective elements and never use elements with different specifications.



(A) M4x20 screws(4) (B) M6x20 screws(4) (C) M8x20 screws(4) (D) Φ6(4)



(E) Square Washer (4) (F) Allen Key(1) (G) 5mm Plastic Sleeve(4) (H) M5x40 screws(2)



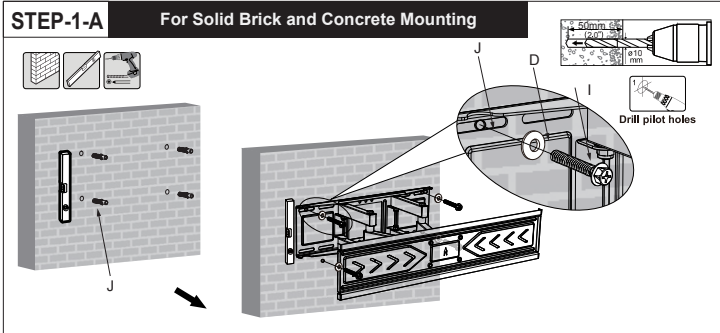
(I) M6x50 Self-tap Screw(4) (J) 10x50 Plastic Anchor(4)

-2-

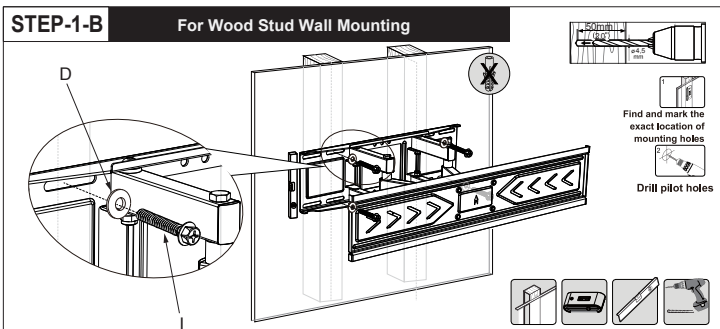
## Installation and operation instructions

Read the instructions carefully before assembly.

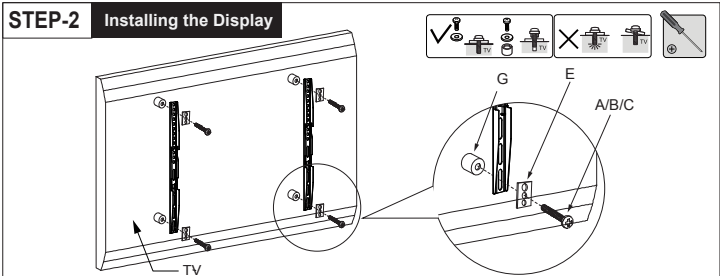
### STEP-1-A For Solid Brick and Concrete Mounting



### STEP-1-B For Wood Stud Wall Mounting

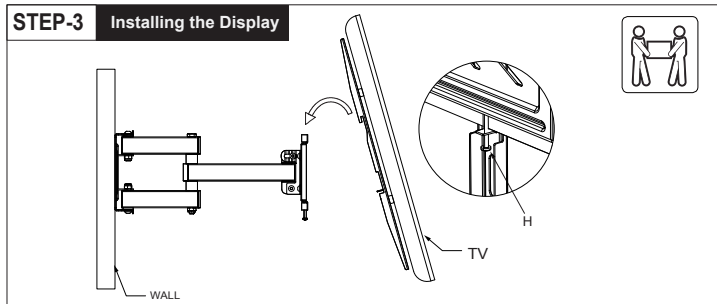


### STEP-2 Installing the Display

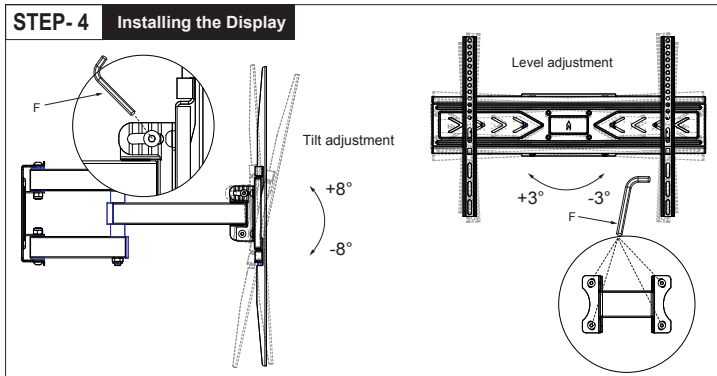


-3-

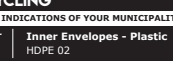
### STEP-3 Installing the Display



### STEP-4 Installing the Display



PER ALTRE LINGUE /  
FOR OTHER LANGUAGES  
scannerizza il QR Code /  
scan the QR Code



Made in China  
For detailed information contact customer service at [info@techmade.eu](mailto:info@techmade.eu)  
TECHMADE products are guaranteed for 2 years for all malfunctions and factory defects.  
For any information, please contact your dealer or visit [www.techmade.eu](http://www.techmade.eu)  
Produced by TECHMADE Srl - Via Libertà 25 - 80055 Portici (NA), ITALY  
Tel. +39 0823 609112 PBX Fax +39 0823 214667  
e-mail: [info@techmade.eu](mailto:info@techmade.eu)

-4-